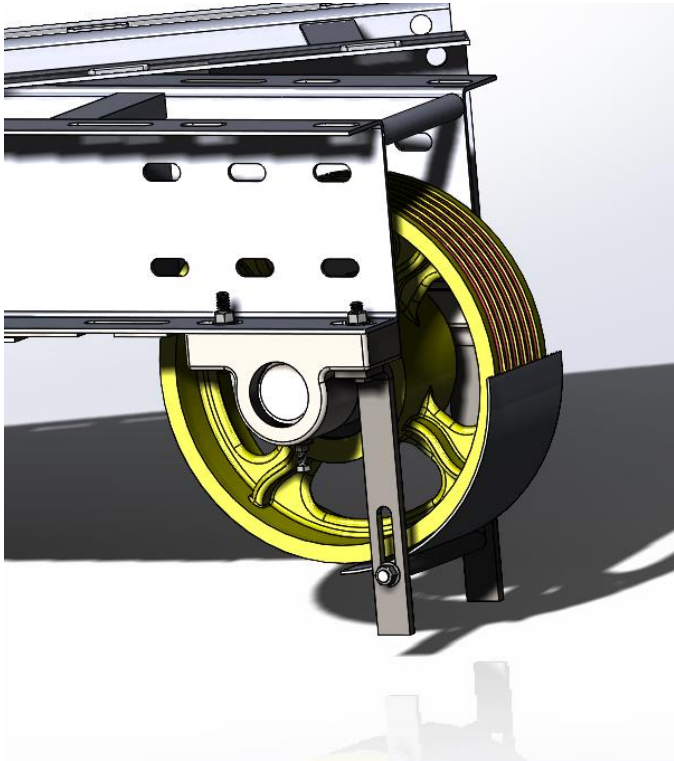




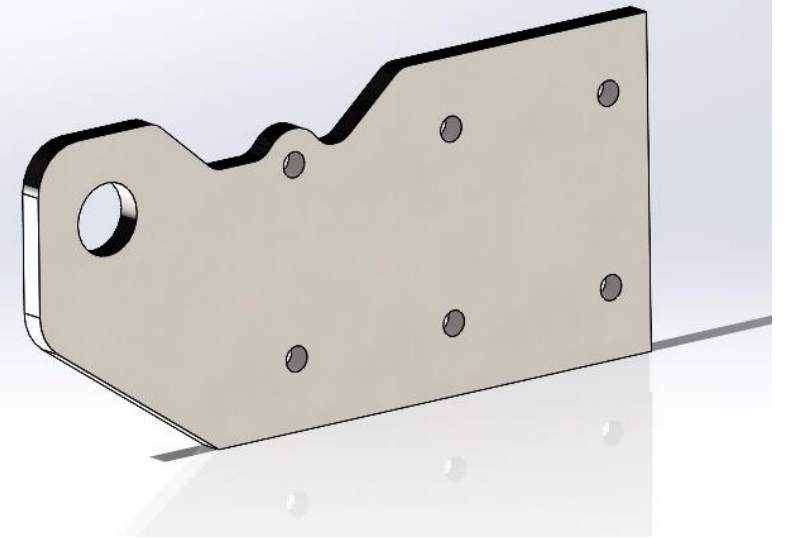
# Hoist Options for Underslung MRL Cars

# Cross underslung with pillow block



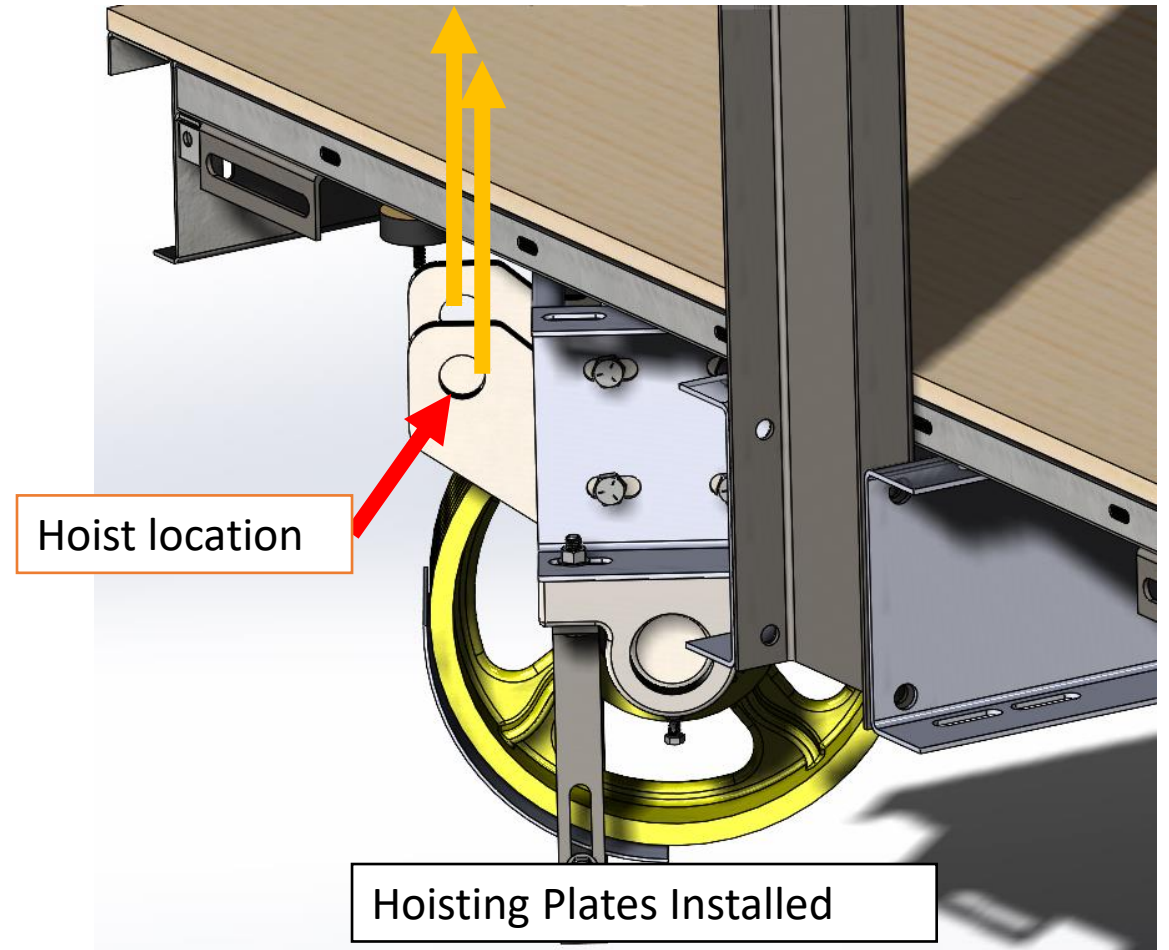
Sheaves with  
pillow blocks

Hoist Plate  
Designed to  
fit within the  
wing and  
mount to  
existing slots  
on cross  
underslung  
wings.

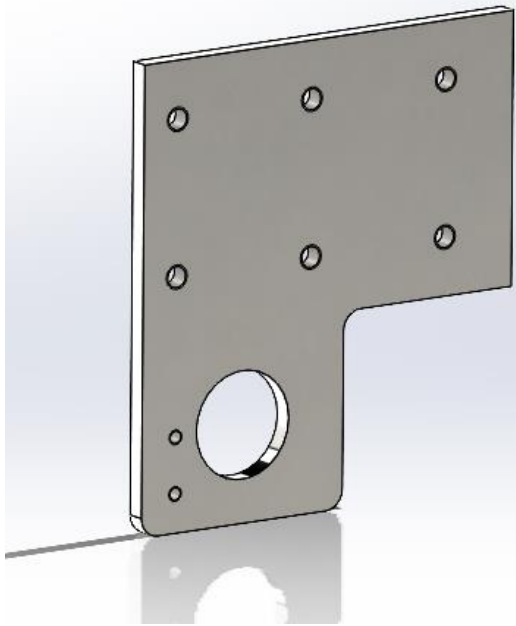


# Cross underslung with pillow block

- 2 plates per side **must be** installed (4 total) utilizing grade 8 hardware provided. Utilizing all 4 hoist points will support up to a 5000lb capacity car using cross underslung.
- DEM **will not** be responsible for the rigging or hoisting equipment used to lift from the hoist points.
- These plates are available for sale upon the customer request

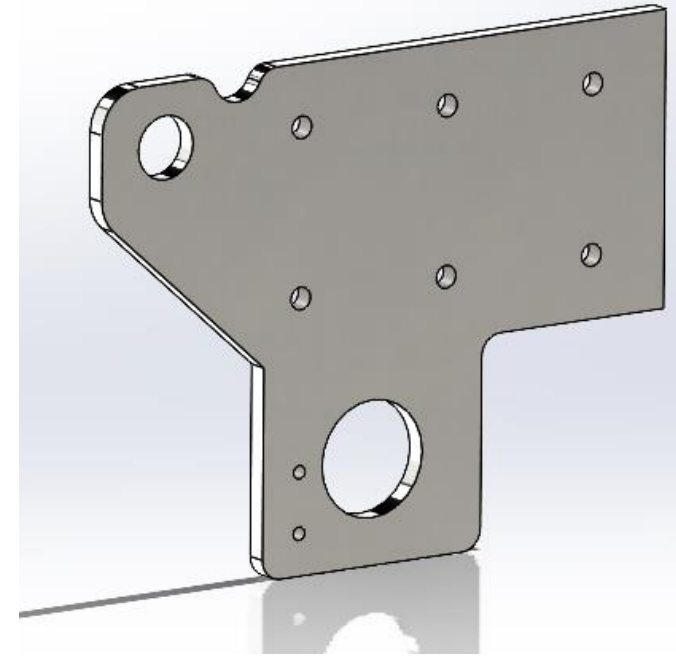


# Cross underslung with sheave plate



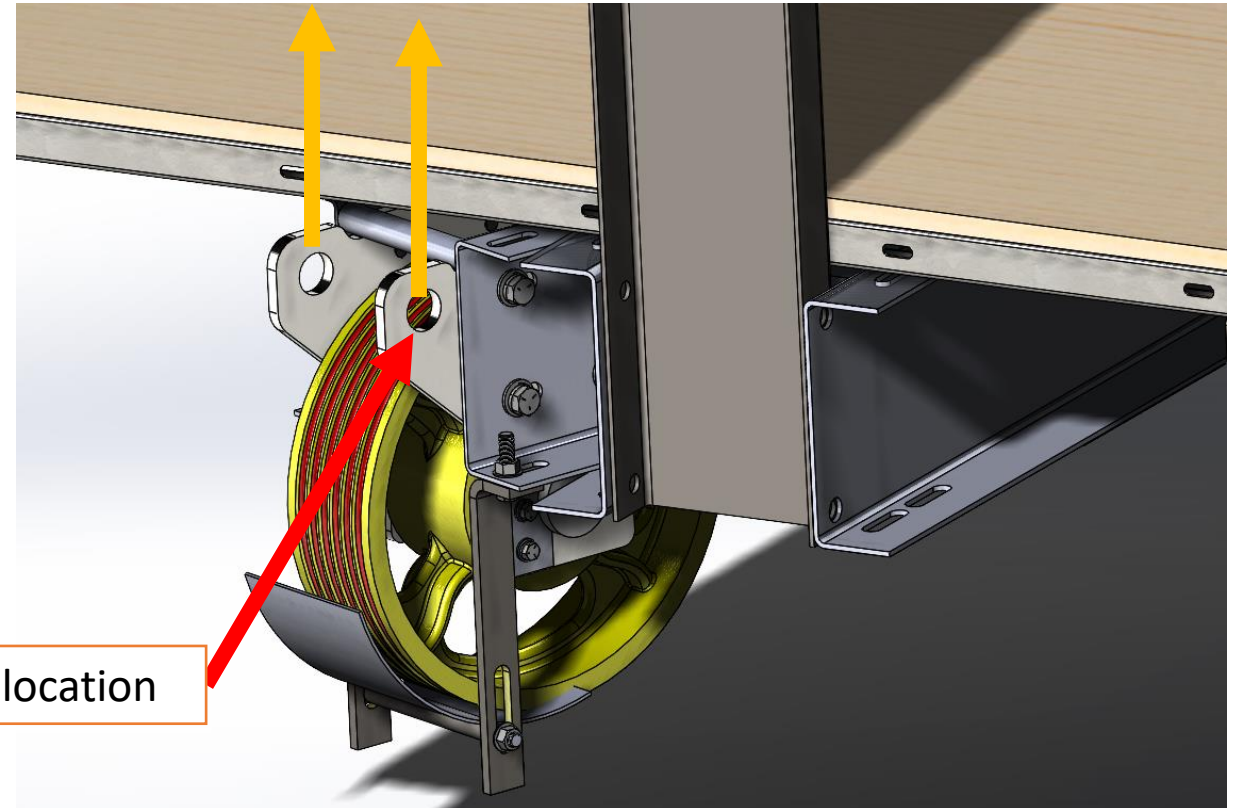
Original  
sheave plate  
design

New sheave  
plate design  
with integrated  
hoist point



# Cross underslung with sheave plate

- All 4 hoist points must be used, plates with grade 8 hardware provided. Will support up to a 5000lb capacity car using cross underslung.
- DEM **will not** be responsible for the rigging or hoisting equipment used to lift from the hoist points.
- Plates will come already installed

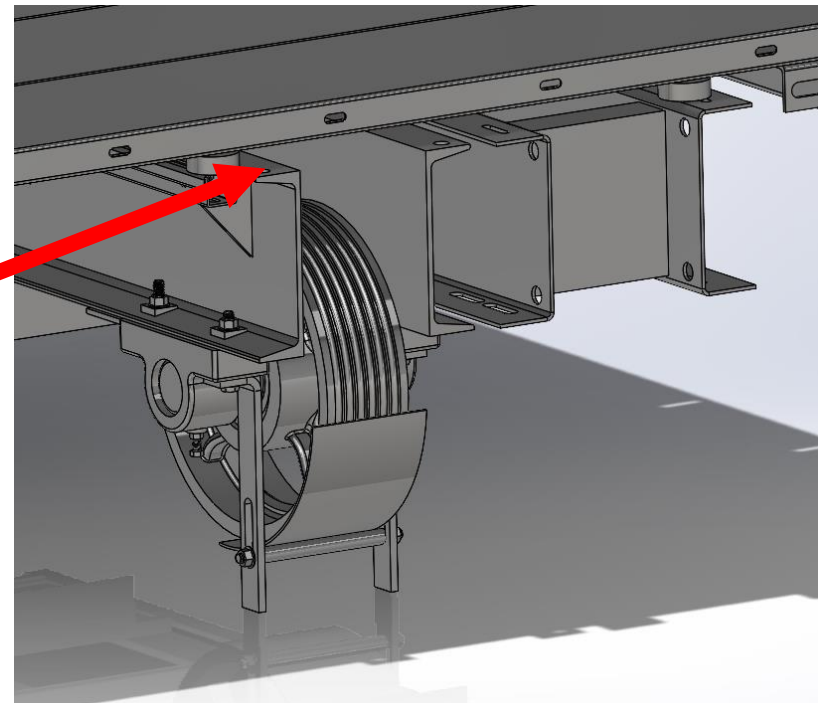
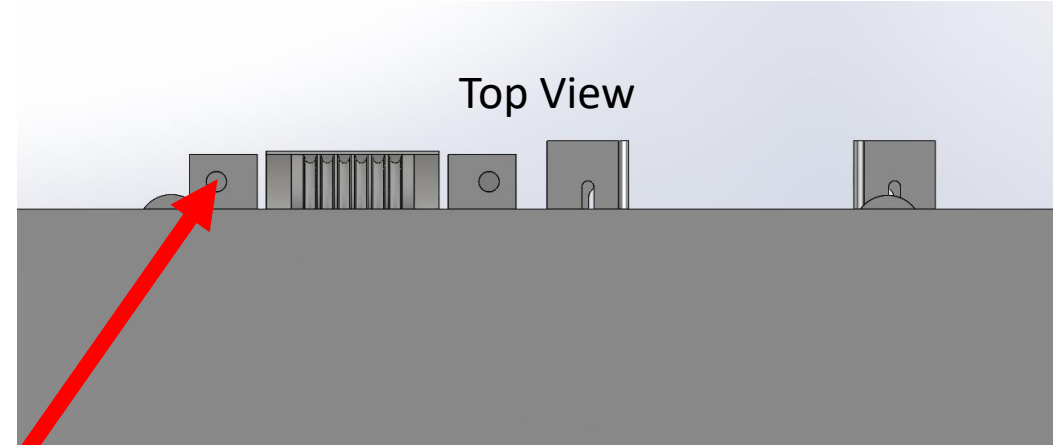


Hoist location

Sheave Plates Installed

# Hoisting parallel underslung cars

- All 4 hoist points must be used and will support up to a 5000lb capacity car using cross underslung.
- Hoisting eye bolts or clevis by others.
- C Channel has  $\frac{3}{4}$ " hole on each end.
- DEM **will not** be responsible for the rigging or hoisting equipment used to lift from the hoist points.



Use existing mounting holes on structural channel