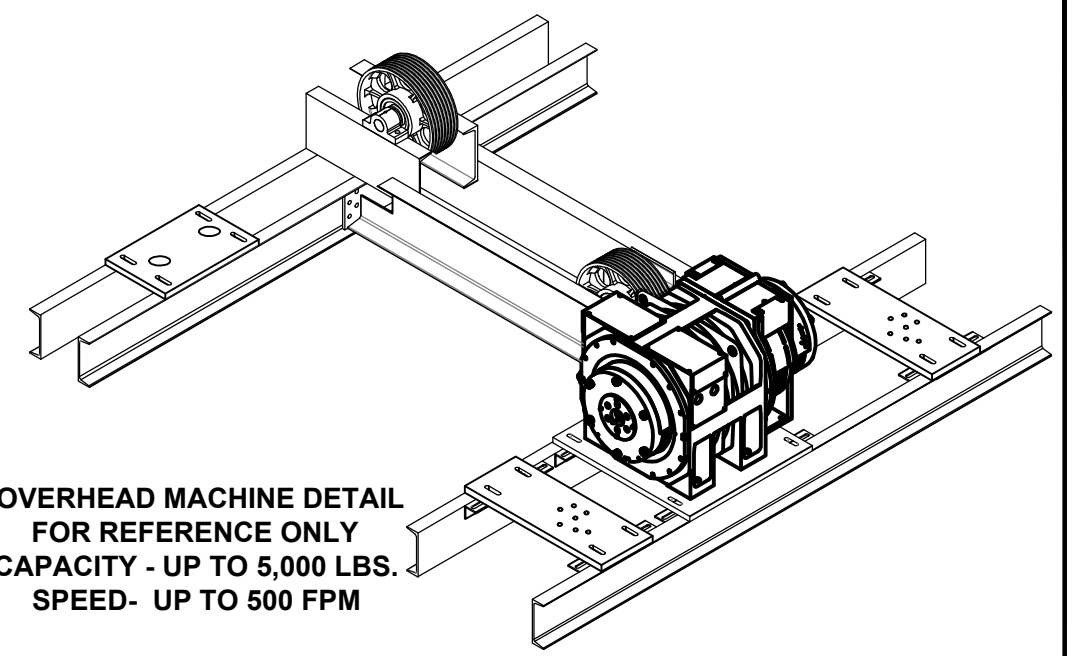


**MRL 3,500 SERVICE FRONT & REAR
BLDG SUPPORTED**
DIMENSIONS SHOWN ARE FOR SEISMIC ZONE 0



**OVERHEAD MACHINE DETAIL
FOR REFERENCE ONLY
CAPACITY - UP TO 5,000 LBS.
SPEED - UP TO 500 FPM**

DELAWARE ELEVATOR MANUFACTURING 27685 ROCKAWALKIN RIDGE RD. SALISBURY, MD 21801 PHONE - 410.749.3489		
PROJECT: MRL BLDG SUPPORTED		
LOCATION:		
DRAWN BY:	DATE:	SCALE: NONE
CONTRACT:		SHEET: 1 of 1