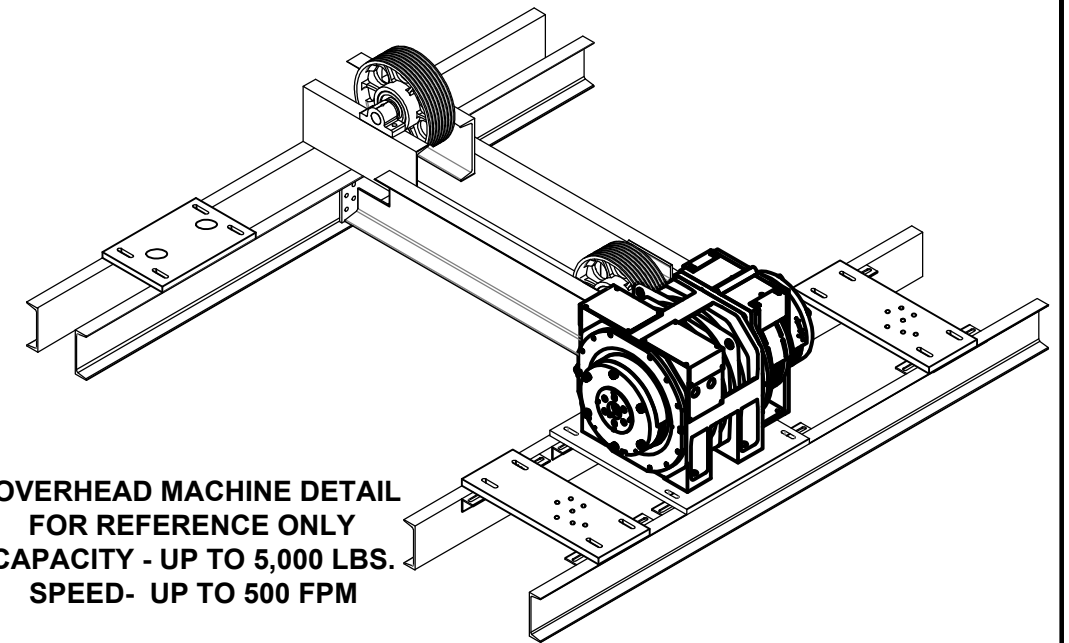
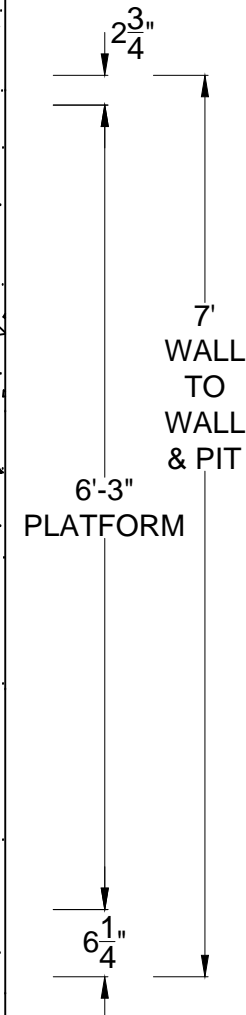


**MRL 4,000 PASSENGER FRONT ONLY  
BLDG SUPPORTED**  
DIMENSIONS SHOWN ARE FOR SEISMIC ZONE 0



**OVERHEAD MACHINE DETAIL  
FOR REFERENCE ONLY  
CAPACITY - UP TO 5,000 LBS.  
SPEED- UP TO 500 FPM**



DELAWARE ELEVATOR MANUFACTURING 27685 ROCKAWALKIN RIDGE RD. SALISBURY, MD 21801 PHONE - 410.749.3489		
PROJECT: MRL BLDG SUPPORTED		
LOCATION:		
DRAWN BY:	DATE:	SCALE: NONE
CONTRACT:		SHEET: 1 of 1