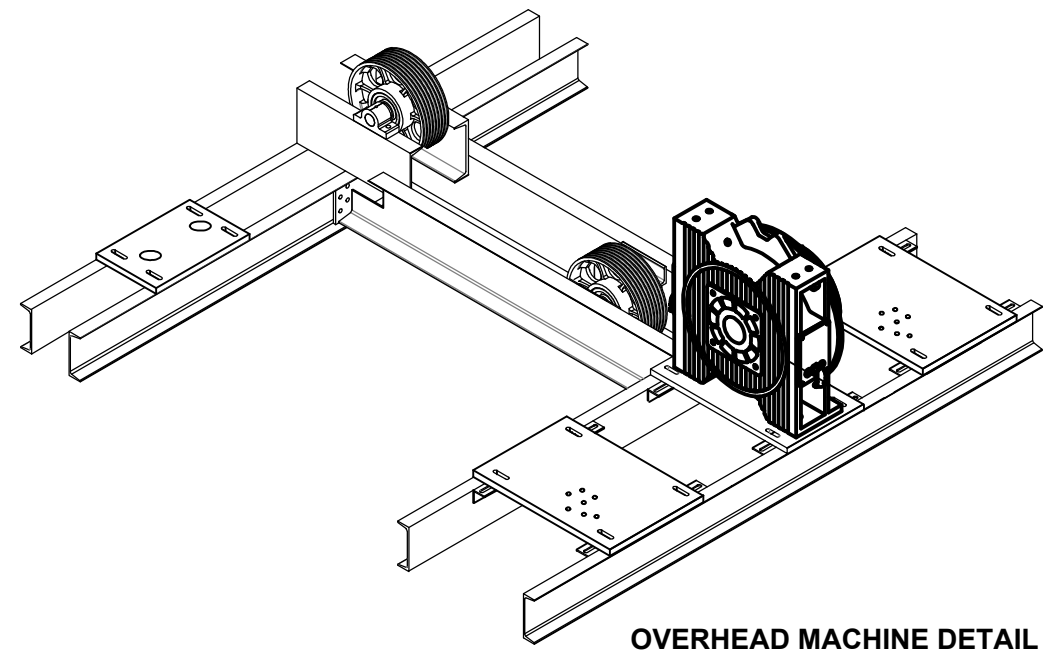


6 1/4"  
 6'-8 1/2"  
 WALL TO WALL & PIT  
 5'-8"  
 PLATFORM  
 6 1/4"



**OVERHEAD MACHINE DETAIL  
 FOR REFERENCE ONLY  
 CAPACITY - UP TO 3,500 LBS  
 SPEED - UP TO 350 FPM**

**MRL 2,100 PASSENGER FRONT & REAR  
 BLDG SUPPORTED**  
 DIMENSIONS SHOWN ARE FOR SEISMIC ZONE 0

DELAWARE ELEVATOR MANUFACTURING 27685 ROCKAWALKIN RIDGE RD. SALISBURY, MD 21801 PHONE - 410.749.3489		
PROJECT: MRL BLDG SUPPORTED		
LOCATION:		
DRAWN BY:	DATE:	SCALE: NONE
CONTRACT:		SHEET: 1 of 1