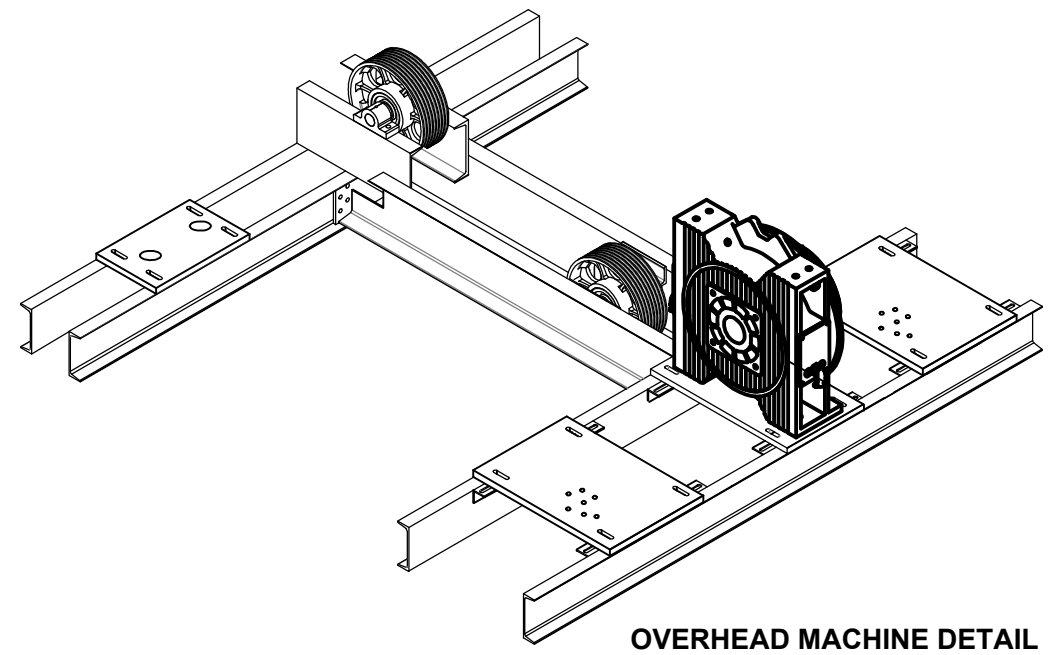


$9\frac{3}{4}$ "
 6'-5" WALL TO WALL & PIT
 5'-1" PLATFORM
 $6\frac{1}{4}$ "



OVERHEAD MACHINE DETAIL
FOR REFERENCE ONLY
CAPACITY - UP TO 3,500 LBS
SPEED - UP TO 350 FPM

MRL 2,100 PASSENGER FRONT ONLY
BLDG SUPPORTED
 DIMENSIONS SHOWN ARE FOR SEISMIC ZONE 0

DELAWARE ELEVATOR MANUFACTURING 27685 ROCKAWALKIN RIDGE RD. SALISBURY, MD 21801 PHONE - 410.749.3489		
PROJECT: MRL BLDG SUPPORTED		
LOCATION:		
DRAWN BY:	DATE:	SCALE: NONE
CONTRACT:		SHEET: 1 of 1